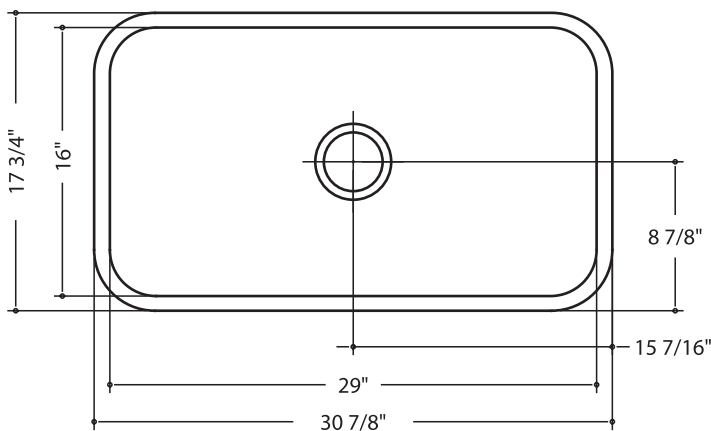




Fits 33" Cabinet

Model #	Faucet Holes	Finish Deck/Bowl	Bowl Size ↕ × ↔	Sink Depth	Overall Dimension	Gauge	Cutout
US1831/80ML	NA	Mirror/Lustre	16" x 29"	8"	17 3/4" x 30 7/8"	20	Requires CNC Equipment*
No. 1135 drain fittings are included.							

*DXF files are available on our website.



JOB NAME: _____

DATE: _____

CUSTOMER: _____

MODEL SPECIFIED: _____

QUANTITY: _____

ARCHITECT/ENGINEER: _____

CONTRACTOR: _____