

**DESCRIPTION**

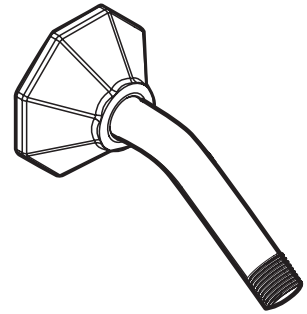
- Metal construction with chrome plated, LifeShine® brushed nickel, or oil rubbed bronze finish

**STANDARDS**

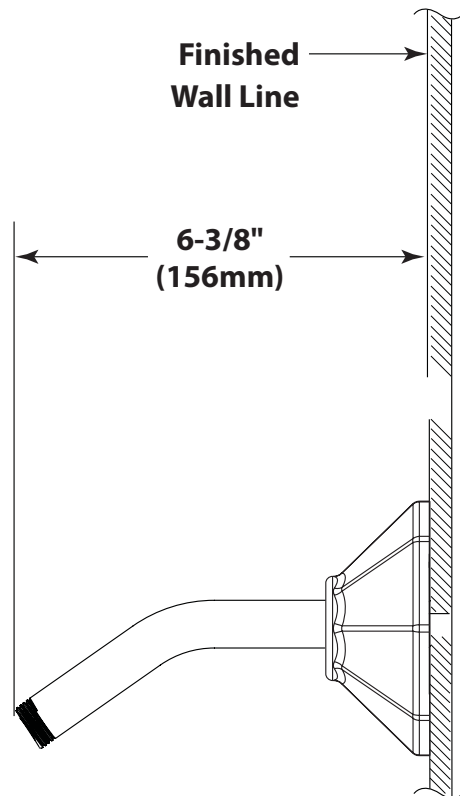
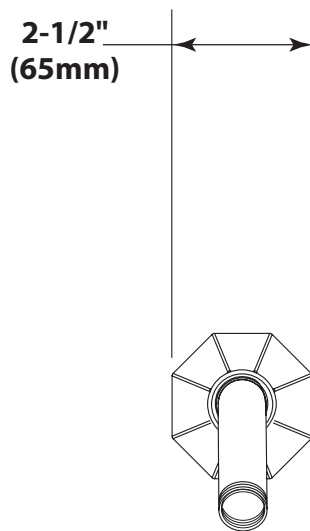
- Third party certified to CSA B125, ASME A112.18.1M, ANSI A117.1, ASSE 1016, and all applicable requirements referenced therein

**WARRANTY**

- Lifetime limited warranty against leaks, drips and finish defects to the original consumer purchaser
- 5 year warranty if used in commercial installations



**Shower Arm**  
Models: S143, S143BN, S143ORB



**CRITICAL DIMENSIONS**  
(DO NOT SCALE)