

DAYTON SPECIFICATIONS

Dayton® Single Bowl Sink Models D, DJ, DD and DDJ Series

GENERAL

Sink bowl is formed of #22 gauge, 300 series, nickel-bearing stainless steel. Top mount.

DESIGN FEATURES

Bowl Depth: See back.

Coved Corners: 3" vertical.

Faucet Deck: Raised (except D11315, D11719 and D11721).

Finish: Exposed surfaces are polished to a satin finish.

Underside: Undercoated as described on back.

OTHER

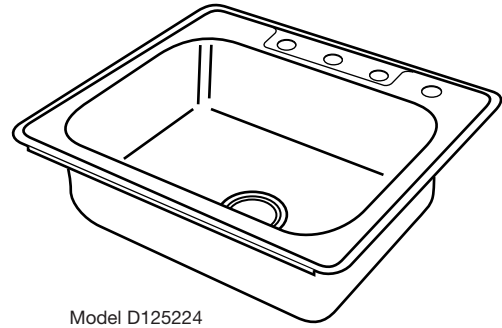
Drain Opening: 3-1/2".

Note: Unless otherwise specified, sink is furnished with 3 or 4 faucet holes as shown.

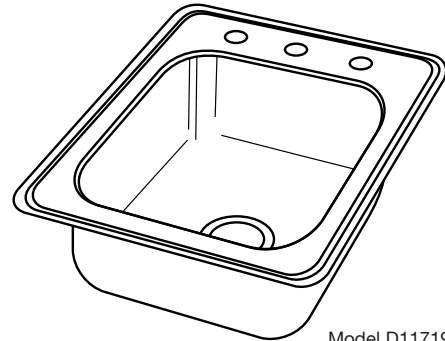
Select sinks comply with ASME A112.19.3 except Models DD12522 and DDJ12522.



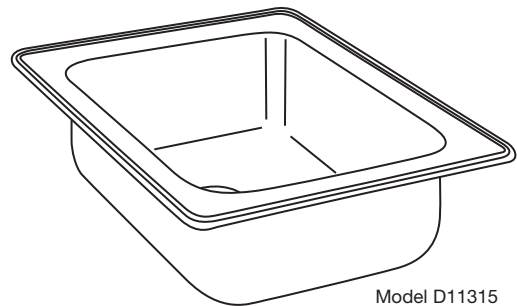
Select sinks except Models DD12522 and DDJ12522 are listed by the International Association of Plumbing and Mechanical Officials as meeting the requirements of the Uniform Plumbing Code.



Model D125224

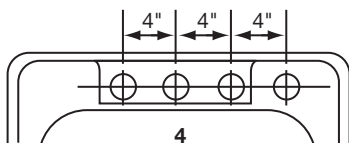
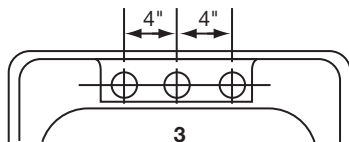
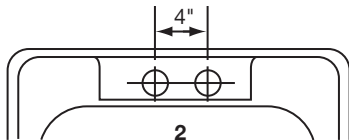
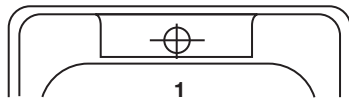


Model D117193

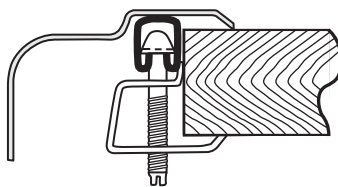


Model D11315

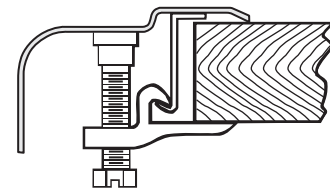
HOLE DRILL CONFIGURATION



U-Channel Type Mounting System



J-Channel Type Mounting System



SEE OTHER SIDE FOR PRODUCT DIMENSIONS.

ALL DIMENSIONS IN INCHES, TO CONVERT TO MILLIMETERS MULTIPLY BY 25.4.

In keeping with our policy of continuing product improvement, Elkay reserves the right to change product specifications without notice.

This specification describes an Elkay product with design, quality and functional benefits to the user. When making a comparison of other producers' offerings, be certain these features are not overlooked.

**Dayton® Single Bowl Sink
Models D, DJ, DD and DDJ Series**

**DAYTON
SPECIFICATIONS**

SINK DIMENSIONS (INCHES)*

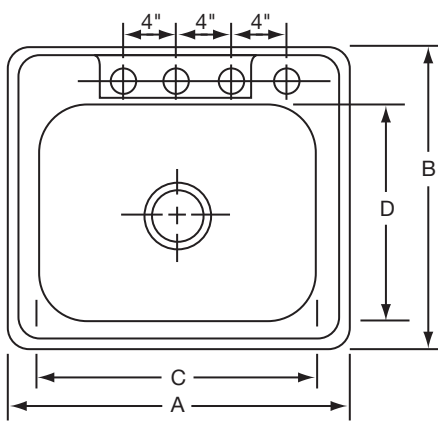
U-Channel Model Number	J-Channel Model Number	Master Pack	Overall		Inside Bowl			Cutout in Countertop (1 1/2" Radius Corners)		No. of 1 1/2" Dia. Faucet Holes	Minimum Cabinet Size	Comply with ASME A112.19.3 and UPC?
			L	W	L	W	D	L	W			
			A	B	C	D	E	L	W			
D11315	-	1	13	15	10	12	5 1/8	12 3/8	14 3/8	None	18	Yes
D11719	-	1	17	19	14	14	6 1/8	16 3/8	18 3/8	1, 2 or 3	21	Yes
D11721	-	1	17	21 1/4	14	15 3/4	6 1/2	16 3/8	20 5/8	1, 2 or 3	21	Yes
D12521	-	1	25	21 1/4	21	15 3/4	6 1/2	24 3/8	20 5/8	1, 2, 3 or 4	30	Yes
D12522	DJ12522	1	25	22	21	15 3/4	6 1/2	24 3/8	21 3/8	2, 3 or 4	30	Yes
DD12522	DDJ12522	1	25	22	21	15 3/4	7 1/16	24 3/8	21 3/8	3 or 4	30	No
D612521	-	6	25	21 1/4	21	15 3/4	6 1/2	24 3/8	20 5/8	3 or 4	30	Yes
D612522	DJ612522	6	25	22	21	15 3/4	6 1/2	24 3/8	21 3/8	3 or 4	30	Yes
D5012521	-	50	25	21 1/4	21	15 3/4	6 1/2	24 3/8	20 5/8	3 or 4	30	Yes
D5012522	DJ5012522	50	25	22	21	15 3/4	6 1/2	24 3/8	21 3/8	3 or 4	30	Yes

*Length is left to right. Width is front to back.

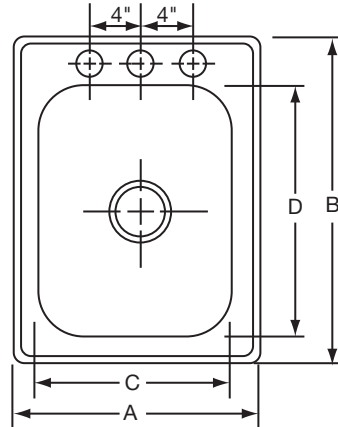
D-Prefix sinks are packed one per shipping carton. Sink bowls are fully undercoated.

D6-Prefix sinks are nested 6 units per shipping carton. Sink bowls are sound deadened on bottom only.

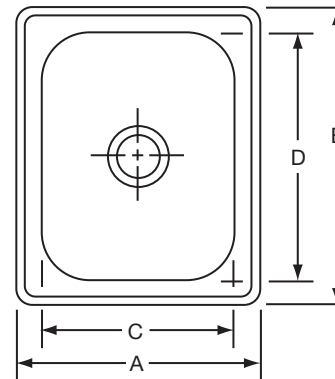
D50-Prefix sinks are nested 50 units per shipping carton. Sink bowls are sound deadened on bottom only.



Bowl Depth is E
Model D12544 Illustrated



Bowl Depth is E
Model D117193 Illustrated



E is Bowl Depth
Model D11315 Illustrated