

**DESCRIPTION**

- Metal construction with chrome plated, LifeShine® stainless or oil rubbed bronze finish
- 1/2" IPS connections will accept standard ball nose connection for 3/8" tubing
- Includes side spray with Hydrolock® quick connect system
- Handle can be installed on the right or left side of the spout

**OPERATION**

- Lever style handle
- Temperature controlled by 140° arc of handle travel

**FLOW**

- Aerator is limited to 2.2 gpm max. (8.3 L/min)

**CARTRIDGE**

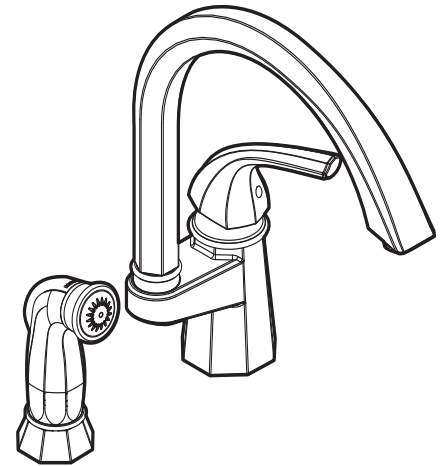
- 1225 cartridge design with nonmetallic/nonferrous and stainless steel materials

**STANDARDS**

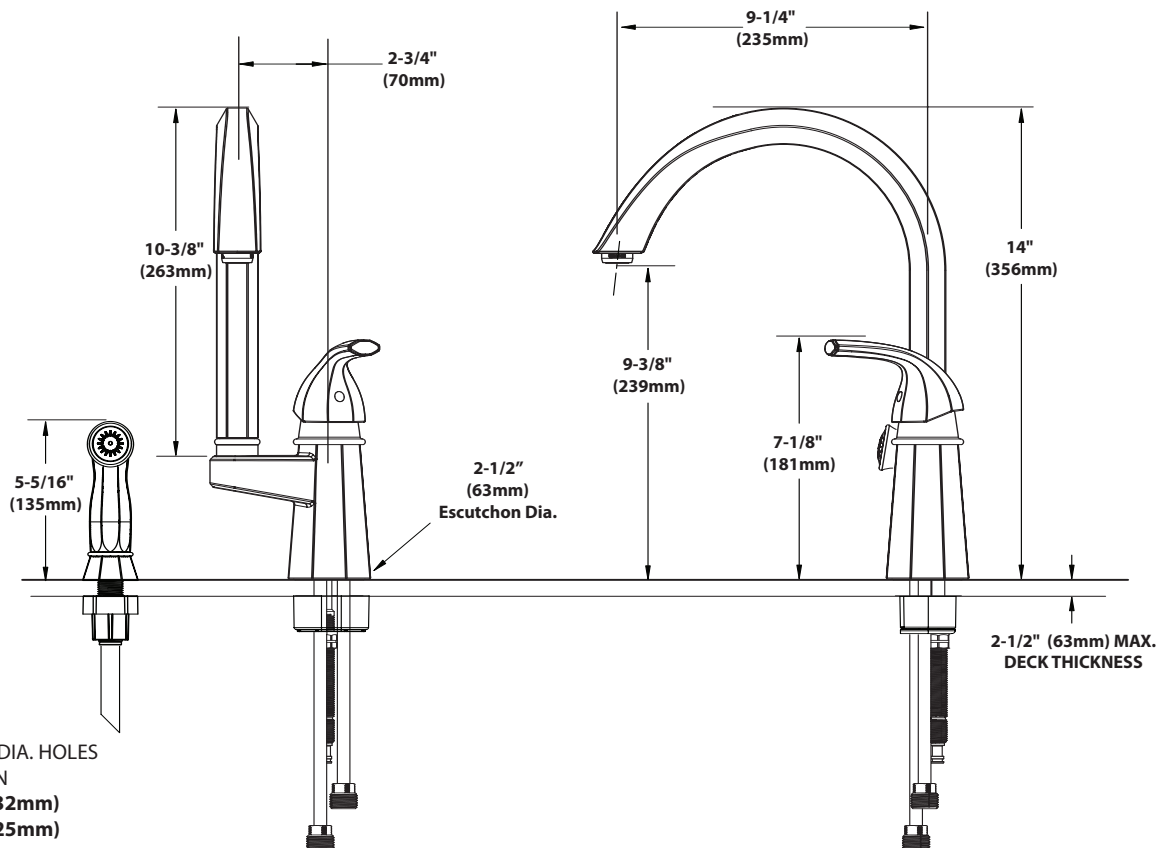
- Third party certified to CSA B125, ASME A112.18.1M, ANSI A117.1 and all applicable requirements referenced therein
- Certified to ANSI/NSF 61/9
- Complies with California Proposition 65 and with the Federal Safe Drinking Water Act

**WARRANTY**

- Lifetime limited warranty against leaks, drips and finish defects to the original consumer purchaser
- 5 year warranty if used in commercial installations



**Single-Handle Kitchen Faucet  
Models: S741, S741SL, S741ORB**



**NOTE: MINIMUM DIA. HOLES FOR INSTALLATION**  
**Faucet = 1-1/4" (32mm)**  
**Side Spray = 1" (25mm)**

**CRITICAL DIMENSIONS**

(DO NOT SCALE)