



Features:

- Cast brass spout and side valves
- Ceramic disc valve cartridge
- Flexible Hose Connections for 6" - 12" installations
- Available with Cross or Lever Handles
- Includes 1-1/4" drain assembly

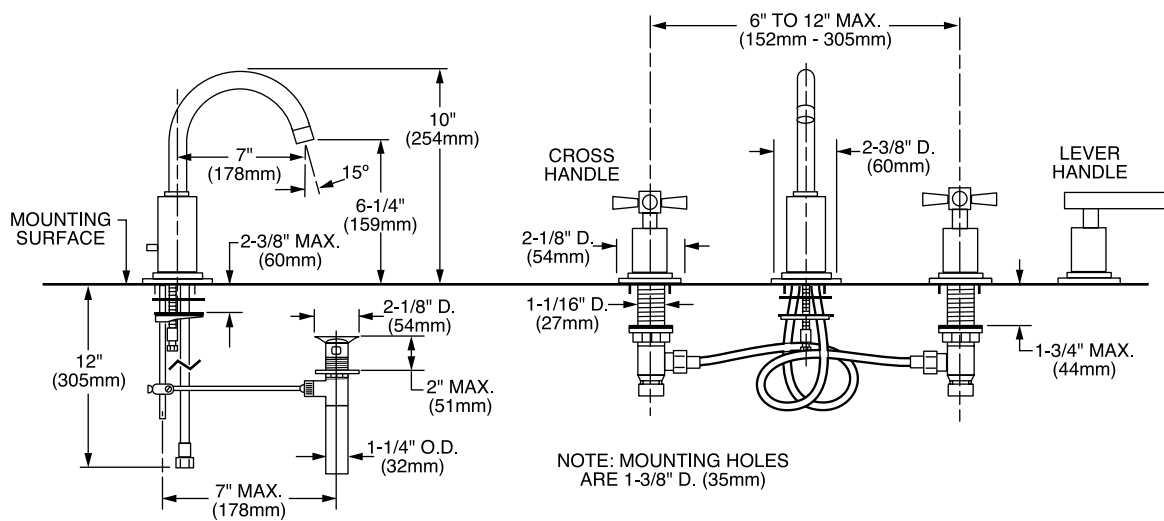
Pictured: 826/103 Widespread Faucet with Cross Handles

Maximum Flow Rate: 2.2 GPM (8.3L/min)

	Handle Type	Product Number
Widespread Faucet	Cross	826/103
Widespread Faucet	Lever	826/003



Available Finishes:	Finish Code
Polished Chrome	100
Brushed Nickel	144
Platinum Nickel	150
UltraSteel (PVD)	355



IMPORTANT: These measurements are subject to change or cancellation. No responsibility is assumed for use of superseded or voided pages.

CODES & STANDARDS

These products meet and exceed the following codes and standards:

ASME A112.18.1

CSA B125

NSF 61/Section 9



Meets the American Disabilities Act Guidelines and **ANSI A117.1** Requirements for the physically challenged.

