

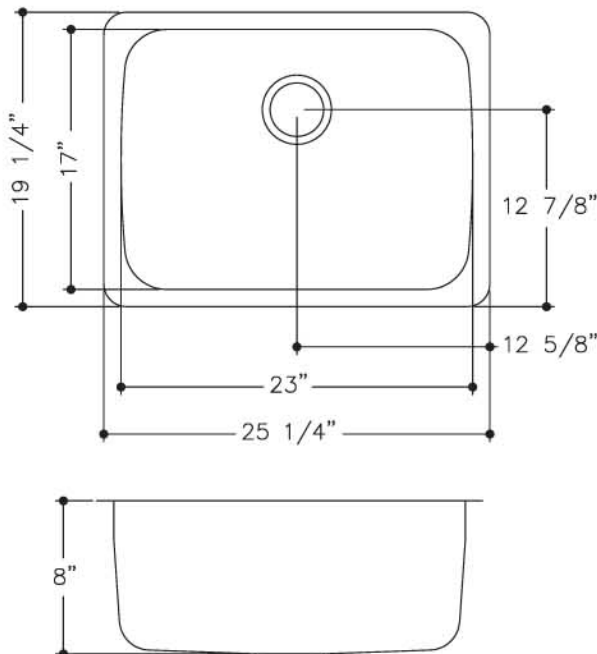
- 18-10 Stainless Steel
- Fully Undercoated
- Limited Lifetime Buyer Warranty



Fits 27" Cabinet

Model #	Faucet Holes	Finish Deck/Bowl	Bowl Size ↕ X ↔	Sink Depth	Overall Dimension	Gauge	Cutout Dimension
US1925/80ML	NA	Mirror/Lustre	17" x 23"	8"	19 1/4" x 25 1/4"	20	Refer To Template*

*DXF files are available for use with CNC equipment. Visit our website.



JOB NAME: _____

DATE: _____

CUSTOMER: _____

MODEL SPECIFIED: _____

QUANTITY: _____

ARCHITECT/ENGINEER: _____

CONTRACTOR: _____