



GOOD SERIES – Undermount Model

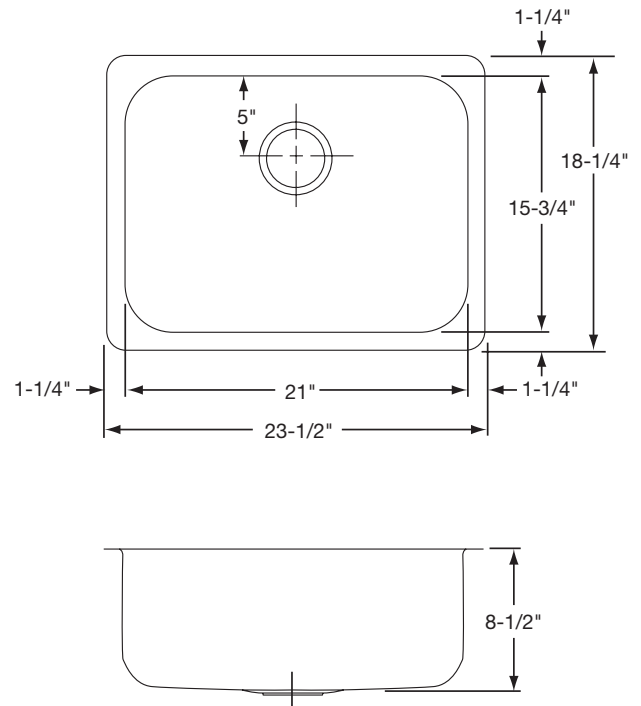
Single Bowl

CU2318D85

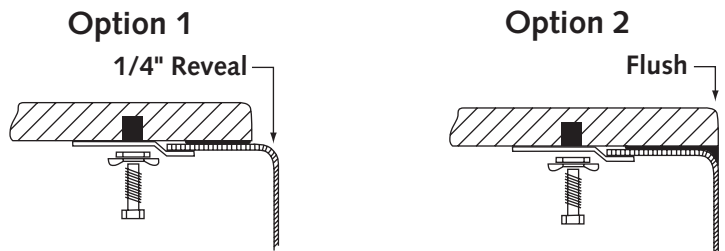
Specifications

FEATURES:

- 20 GA 304 Nickel-Bearing Stainless Steel
- High-Lustre Finish
- 3-1/2" Rear Center Drain Opening
- Sound Deadening Pads
- Includes Mounting Hardware
- Template Provided
- Suggested Cabinet Size: 30"
- Shipping Weight: 11 lbs.
- Made in U.S.A.



Dual Template Mounting Options



NOTE: THIS UNDERMOUNT SINK IS DESIGNED TO MOUNT TO SOLID SURFACE (NON-LAMINATE) COUNTERTOP ONLY.

ALL DIMENSIONS IN INCHES, TO CONVERT TO MILLIMETERS MULTIPLY BY 25.4.

In keeping with our policy of continuing product improvement, Revere reserves the right to change product specifications without notice.

This specification describes a Revere product with design, quality and functional benefits to the user. When making a comparison of other producers' offerings, be certain these features are not overlooked.