

**Lustertone® Undermount  
Single Bowl Sink with Apron  
Model ELUHFS2816**



**SPECIFICATIONS**

**GENERAL**

Highest quality sink, with integral apron, seamlessly drawn of #18 gauge, type 304 (18-8) nickel bearing stainless steel. Underside of sink is fully protected by heavy duty Sound Guard™ undercoating. Designed to accept waste disposer.

**DESIGN FEATURES**

Bowl Depth: 7-7/8".

Finish: Exposed surfaces are hand blended to a lustrous high-lighted satin finish. ELUHF models have highlighted inside top bowl radius.

Underside: Underside of sink is fully protected by heavy duty Sound Guard™ undercoating to prevent condensation and deaden sound.

**OTHER**

Drain Opening: 3-1/2".

Note: For solid surface countertop installations only.

Installation: See illustrated profile below.

Countertop mounting clips are packed with every sink.

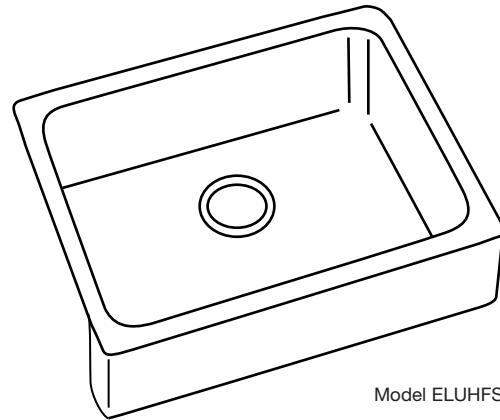
**OPTIONAL ACCESSORIES**

Rinsing Basket: LKERBSS.

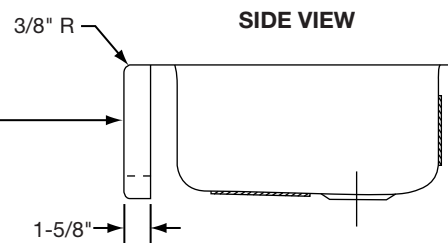
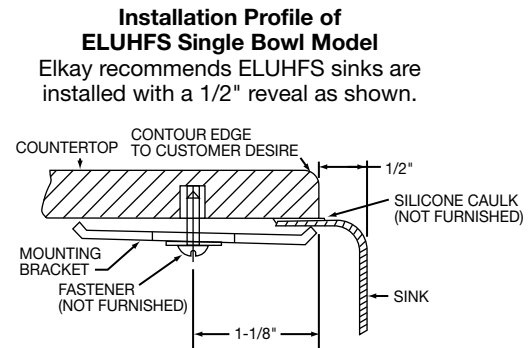
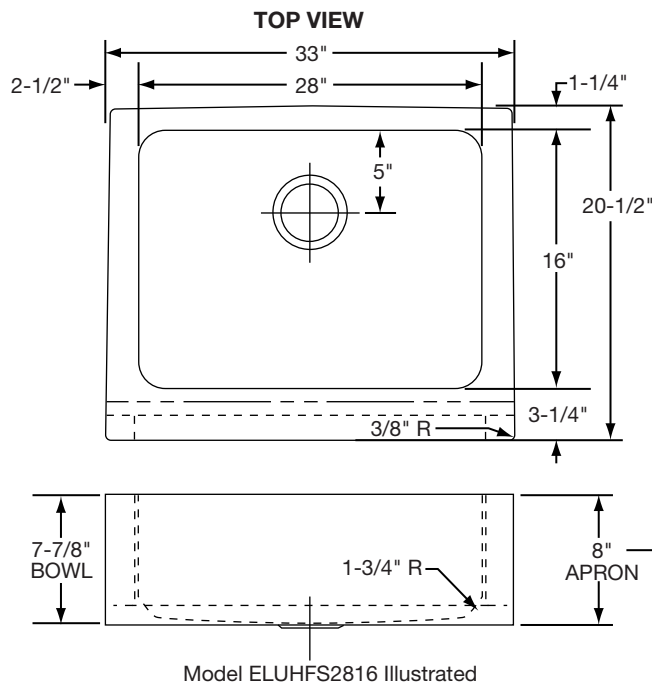
**SINK DIMENSIONS (INCHES)\***

Model Number	Overall		Inside Bowl			Ship. Wt. Lbs.
	L	W	L	W	D	
ELUHFS2816	33	20 1/2	28	16	7 7/8	26

\*Length is left to right. Width is front to back.



Model ELUHFS2816



ALL DIMENSIONS IN INCHES. TO CONVERT TO MILLIMETERS MULTIPLY BY 25.4.

*In keeping with our policy of continuing product improvement, Elkay reserves the right to change product specifications without notice.*

*This specification describes an Elkay product with design, quality and functional benefits to the user. When making a comparison of other producers' offerings, be certain these features are not overlooked.*