

SPECIFICATIONS

GENERAL

Highest quality oval lavatory sink. Lavatory sink seamlessly drawn of #18 gauge, type 304 (18-8) stainless steel, self-rimming.

DESIGN FEATURES

Bowl Depth: 6".
 Bowl and Faucet Deck: Oval lavatory has embossed faucet deck on back ledge.
 Finish: Exposed surfaces are hand blended to a highlighted Lustertone satin finish.
 Underside: Fully undercoated.

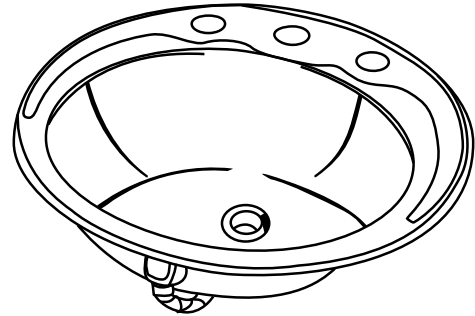
OTHER

LLVR1916. Sink with LKF293 overflow assembly. Three faucet holes on 4" centers.

LLVR1916CS. Sink with LKF293 overflow assembly. Three faucet holes on 2" centers.

Drain opening: 1-5/8", 2-1/4" O.D. at top of countersink. Arranged for standard lavatory type pop-up drain fitting.

These sinks comply with ANSI Standard A112.19.3M.



Model LLVR1916

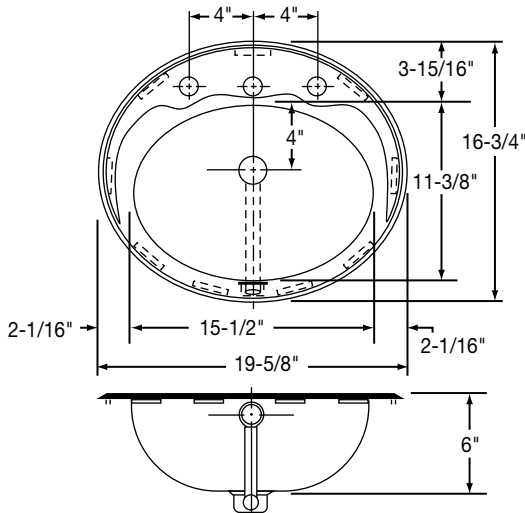


This sink is listed by the International Association of Plumbing and Mechanical Officials as meeting the requirements of the Uniform Plumbing Code.

SINK DIMENSIONS (INCHES)*

Model Number	Overall		Inside Bowl Dimension			With Overflow	Cutout in Countertop Use Sink Upside-down as template and cut 5/16" INSIDE Sink Outline.	1 1/4" Dia. Faucet Holes No. & Ctrs.	Ship. Wt. Lbs.
	L	D	L	W	D				
LLVR1916	19 5/8	16 3/4	15 1/2	11 3/8	6	Yes	(3) - 4" Ctrs.	8	
LLVR1916CS	19 5/8	16 3/4	15 1/2	11 3/8	6	Yes	(3) - 2" Ctrs.	8	

*Length is left to right. Width is front to back.



Model LLVR1916 Illustrated

ALL DIMENSIONS IN INCHES, TO CONVERT TO MILLIMETERS MULTIPLY BY 25.4.

In keeping with our policy of continuing product improvement, Elkay reserves the right to change product specifications without notice.

This specification describes an Elkay product with design, quality and functional benefits to the user. When making a comparison of other producers' offerings, be certain these features are not overlooked.