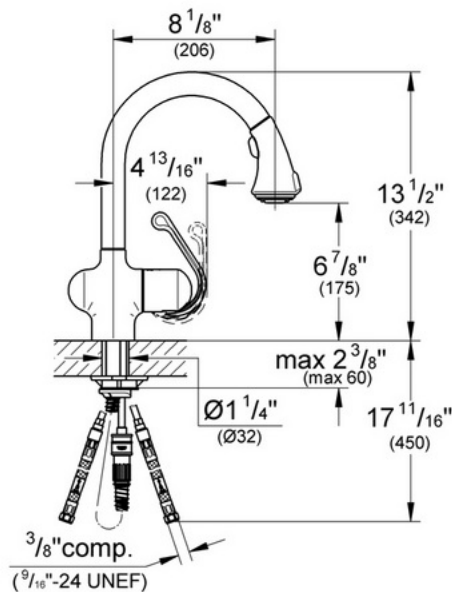


33 755 High Profile, Pull Down - WaterCare



Description

GROHE WaterCare - 30% Water Savings. IAPMO Green Certified
GROHE RealSteel® - Stainless Steel Construction
360° Swivel Spout
Convenient Dual Spray Trigger (hold and release) with on/off spray control
Variable Handle Positioning (left, right, or center and all points in between)
SpeedClean® Anti-Lime System
GROHE SilkMove® Ceramic Cartridge
59" Extractable Hose
8" Spout Reach
Quick Installation System
Stainless Steel braided flexible supplies
Integral Check Valves
Single Hole Installation
IAPMO File #1750

Flow Rate

1.5 gpm

Code Compliance

ASME/ANSI A112.18.1M
ANSI/NSF Standard 61
CSA Standard B125.1-05
ADA Compliant

Finish Options

33 755 SDE Stainless Steel