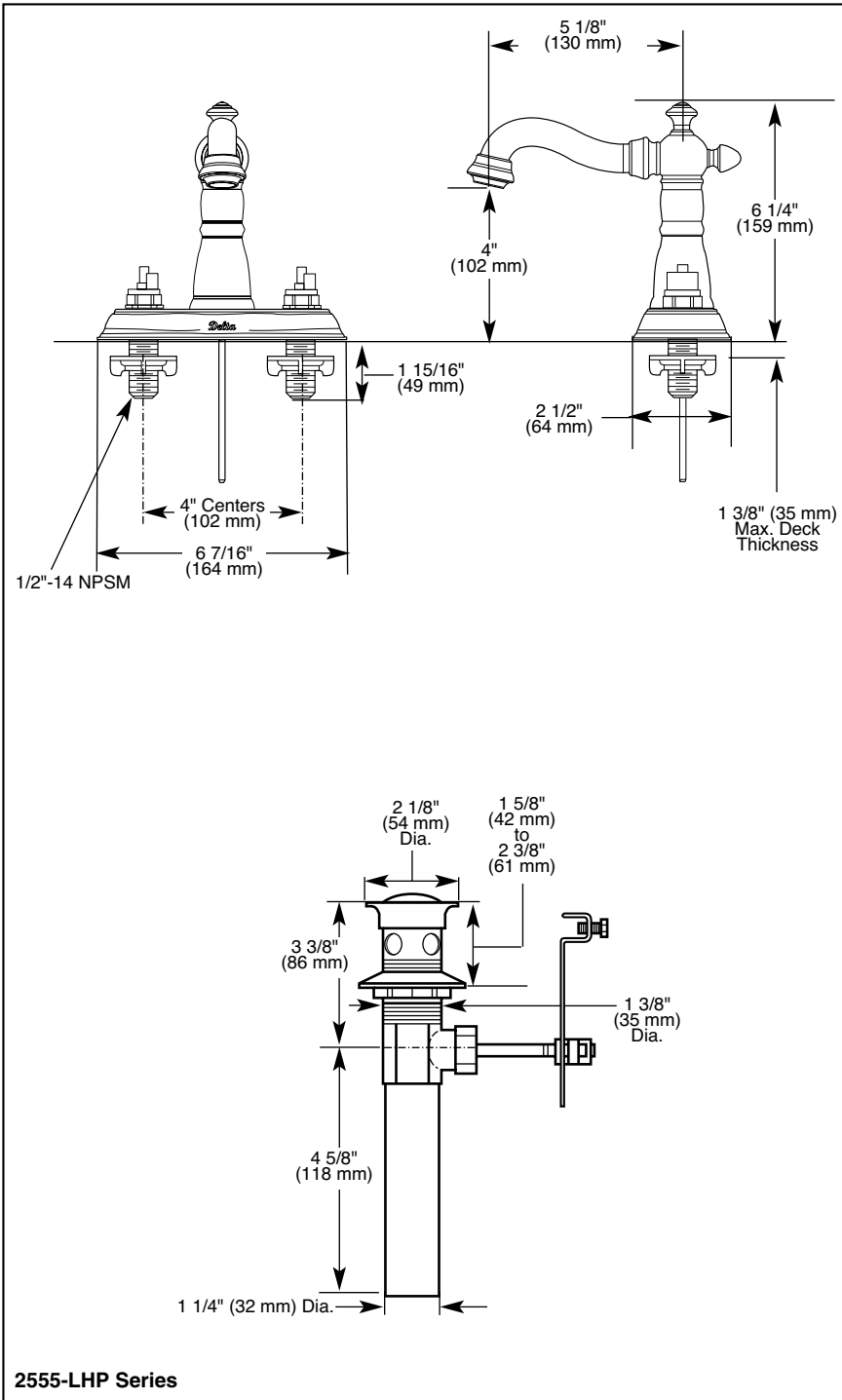


Submitted Model No.: \_\_\_\_\_

Specific Features: \_\_\_\_\_



# DELTA<sup>®</sup>

## LAVATORY FAUCETS

- Two Handle
- Victorian™ Series
- LHP-Less Handle Program
- 3 Hole Sink Applications
- 4" Centerset

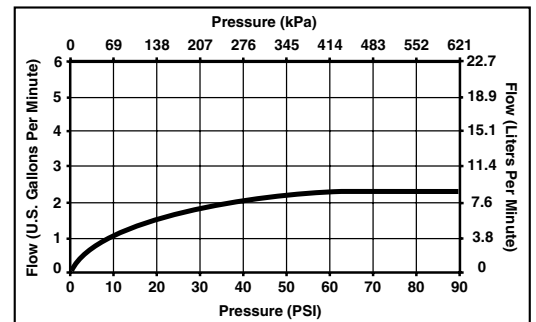


### COMPLIES WITH:

- NSF 61
- ASME A112.18.1-2000
- CSA B125-98
- Indicates ADA compliance to ICC/ANSI A117.1-1998
- IAPMO Listed
- CSA Certified
- UL Classified

### STANDARD SPECIFICATIONS:

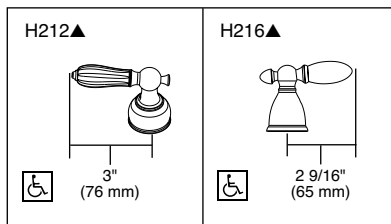
- Two handle lavatory deck faucets for exposed mounting on three hole sinks.
- 4" (102 mm) centerset.
- Solid brass fabricated body.
- 5 1/8" (130 mm) long, 6 1/4" (159 mm) high rigid spout.
- LHP-Less Handle Program. See handle kit options on back.
- Hot and cold stems are interchangeable.
- 1/4 Turn stops
- Control mechanism shall be of the rotating cylinder type with stainless steel plate and 180° rotation, with replaceable non-metallic seats operating in stainless steel lined sockets.
- 1/2"-14 NPSM threaded male inlet shanks.
- Models have metal drain with pop-up type fitting with plated flange and stopper.



Standard Features	2555-LHP	2555-CBLHP	2555-PBLHP	2555-NNLHP	2555-NPLHP	2555-RBLHP
	Washerless	◆	◆	◆	◆	◆
Three Hole Installation	◆	◆	◆	◆	◆	◆
4" (102 mm) Centerset	◆	◆	◆	◆	◆	◆
5 1/8" (130 mm) Long, 6 1/4" (159 mm) High Rigid Spout	◆	◆	◆	◆	◆	◆
Less Handle Program See Handle Kit Options*	◆	◆	◆	◆	◆	◆
Brass Stems and 1/4 Turn Stops	◆	◆	◆	◆	◆	◆
1/2"-14 NPSM Threaded Male Inlet Shanks	◆	◆	◆	◆	◆	◆
Metal Pop-Up Drain	◆	◆	◆	◆	◆	◆
Chrome Finish	◆					
Chrome and <i>Brilliance</i> ® Polished Brass Finish		◆				
<i>Brilliance</i> ® Polished Brass Finish			◆			
<i>Brilliance</i> ® Pearl Nickel				◆		
<i>Brilliance</i> ® Pearl Nickel and <i>Brilliance</i> ® Polished Brass Finish					◆	
Venetian Bronze™ Finish						◆

**\*Available LHP Handle Options**

**▲ Specify Finish**



Indianapolis, Indiana 46280  
A Division of Masco Corporation of Indiana  
© 2001 Masco Corporation of Indiana