

Ordering Information

Mexico faucets and fittings have an M after the first sequence of numbers (such as K-12345 M)		
Applicable product:		
Four hole sink	K-5805-4	shown
Two hole sink	K-5805-2	not shown
Accessories/hardware:		
Bottom basin rack (left basin)	K-6021	optional
Bottom basin rack (right basin)	K-6022	optional
Cutting board (left basin)	K-6604	optional
Colander	K-6605	optional
Duostrainer sink strainer	K-8801	optional

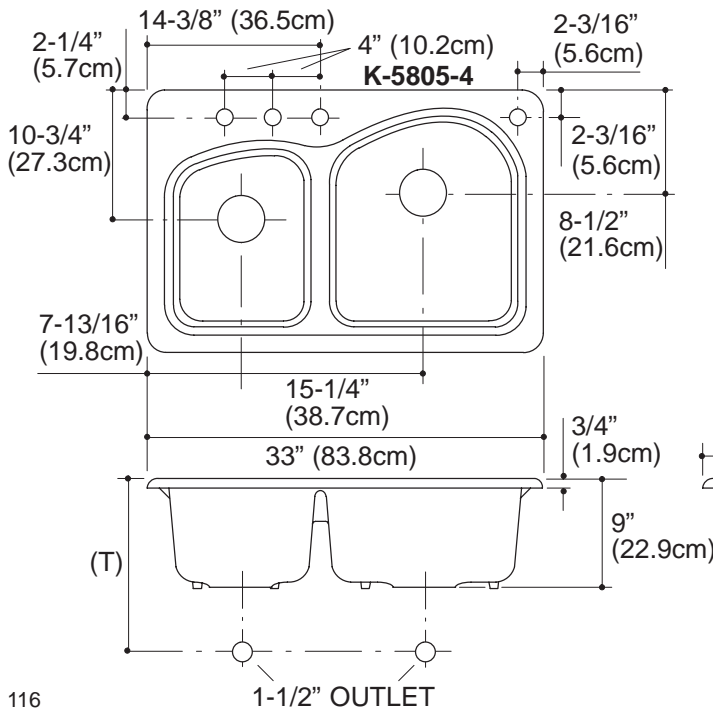
Product Information

Fixture*:	basin area	water depth
Sink, small	11-1/2" (29.2cm) x 15" (38.1cm)	7-7/8" (20cm)
Sink, large	15-1/2" (39.4cm) x 17-1/2" (44.5cm)	7-7/8" (20cm)
Outlet	3-5/8" D. (9.2cm)	
Faucet holes	1-3/8" D. (3.5cm)	

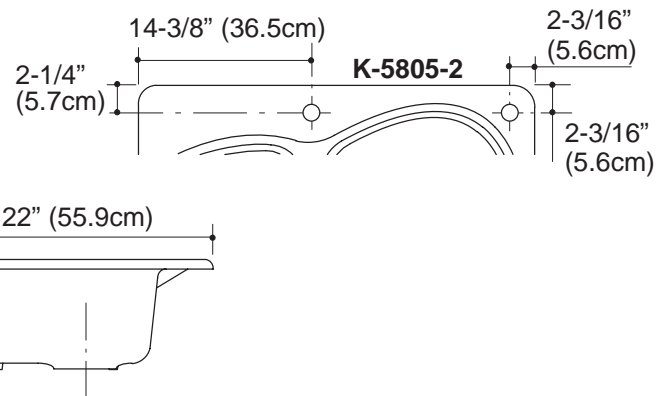
* Approximate measurements for comparison only.

Installation Notes

Refer to installation instructions included with fixture before beginning installation.



Roughing-In Notes	
Fixture dimensions are nominal and conform to tolerances in ASME/ANSI Standard A112.19.1M.	
(T) Drain typically 14-3/8" (36.5cm).	
Cutout	31-3/4" (80.6cm) x 20-3/4" (52.7cm) with 1" radius (2.5cm) corners.



116